

# Billi®



Superior Instant Filtered Water



BOILING



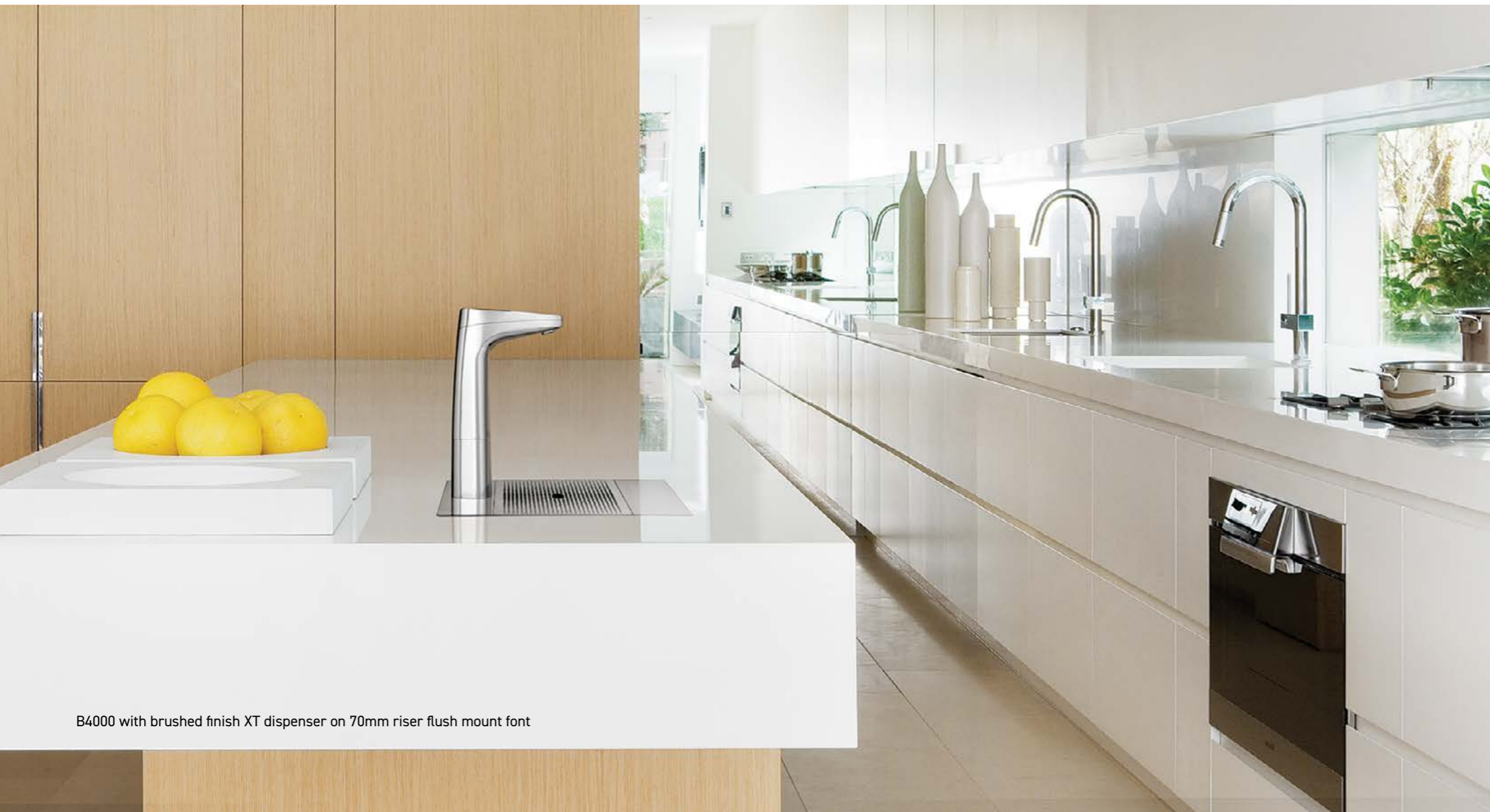
CHILLED



SPARKLING



STILL



B4000 with brushed finish XT dispenser on 70mm riser flush mount font

# Billi®

Originating in Australia, Billi has been at the forefront of the instant filtered boiling and chilled water systems industry for over 30 years. Billi products are celebrated for their combination of functionality, performance and contemporary aesthetics. Proudly Australian-made and designed, Billi products have brought a unique concept of underbench instant filtered boiling, chilled and sparkling drinking water to many countries around the globe.

Manufactured in Melbourne, Australia to strict quality standards, Billi water systems come with an assurance of quality, innovation and sustainability. Incorporating cutting edge eco-technology features and modern designs, Billi delivers solutions that keep pace with the ever-changing needs of its users.



Designed and manufactured in Australia to the highest quality standards

## CONTENTS

About Billi	p.03
Product Features	p.04
Why Billi	p.06
Premium Filtration	p.08
Service Plans	p.09
How to choose your Billi	p.10
Finishes	p.12
Accessories	p.14
Product Range	p.18
Order Codes	p.24
Testimonials	p.27



**AUSTRALIAN DESIGNED & MADE**

All Billi boiling & chilled units are designed and manufactured in Australia.

**SPACE SAVING DESIGN**

With a focus on space saving, Billi systems have one of the smallest footprints on the market, allowing you to make the most of the valuable underbench space.

**ENERGY EFFICIENT**

Billi's unique Heat Exchange Technology enables our systems to achieve substantial energy savings. Our units also feature a standby mode which conserves energy by powering down after 2 hours of non-use.

**SAFE TO OPERATE**

Billi's X series dispensers are supplied standard with a safety switch to lock off access to boiling water where needed. The red lock icon demonstrates when the safety switch is activated. Simply touch the sensor switch to release the lock and activate the boiling water. The dispenser will revert to safety mode after a period of non use.

**ECO-INTELLIGENCE TECHNOLOGY**

The Billi B5000 & B4000 systems incorporates Eco-Intelligence technology which is a self learning timer allowing the unit to only operate when required. The self learning timer monitors daily usage patterns and even recognises evening and weekend changes in routine to effectively minimise energy consumption.

**ICE BANK TECHNOLOGY**

Our Ice bank technology has a chilled reservoir where both sparkling and chilled water supply passes through. In doing so, the dispensed water temperature is consistently chilled, also providing a higher level of carbonation.

**FRESHER SPARKLING TASTE**

The Ice Bank technology allows for consistently lower dispense and storage temperatures and a far greater level of CO<sub>2</sub> saturation. The benefit of having an ice bank technology is that our sparkling water simply tastes fresher & better.

**ADJUSTABLE CHILLED TEMPERATURE**

A simple adjustable control knob allows the chilled water temperature to be raised to 15°C or lowered to 6°C for perfectly chilled, refreshing drinks. Your desired temperature is reached quickly and maintained efficiently during operation.

**ADJUSTABLE SPARKLING LEVEL**

Adjust the level of sparkling to suit your taste, with adjustable controls up to 5 bar of CO<sub>2</sub> pressure.

**UNLIMITED FILTERED WATER**

The Billi B3000, B4000, B5000 and Filter Tap ranges all offer a bottomless supply of still filtered water.\*

**CHOICE OF DISPENSER FINISHES**

The Billi range offers a variety of dispenser options including our X series and slimline dispensers in a selection of modern finishes. Site specific tapware is available, including an XL Levered dispenser with red & blue coloured levers and braille pads for vision impaired applications.

**COMPLEMENTARY RANGE OF MIXER TAPS**

Match the finish of your Billi dispenser with our Standalone Mixer Taps.

**ACCESSORIES**

Billi has a range of stylish and functional accessories to match your needs including fonts, risers and tubing extension kits.

**WORRY-FREE INSTALLATION**

Billi's highly experienced professional service technicians can manage the installation of your Billi Unit. Service plans and filter subscriptions are also available to ensure you never have to worry about the maintenance of your unit.

**REPLACEMENT FILTERS**

All Billi genuine filters come with a digital lockout feature to retain single use integrity and maximum hygiene of your drinking water system. They also have a visual change reminder alarm built into the dispenser display where amber lights will flash repeatedly to indicate it's time to change your filter.

\*Safety time out features and the required filter changes for hygiene still apply.

Synonymous with innovation, Billi prides itself on being the leading designer and manufacturer of boiling, chilled, sparkling and still filtered water systems.

Manufactured in Melbourne and in partnership with leading Italian manufacturers, we are uncompromising on quality and dedicated to delivering the most reliable, high performance and stylish products on the market.

The Billi range of products include industry leading technology such as self-locking boiling water safety, ice-bath chilling, space saving underbench footprints and self-commissioning features. This make our units safe and user-friendly for your family, easy to install and energy efficient.

Installing a new Billi product reduces the reliance on disposable plastic bottles which are a significant contributor to landfill & carbon footprint during their manufacturing process. Aside from the environmental benefits, removing plastic bottles from the home also conserves space in the pantry & fridge while providing the ultimate in convenience. Billi also offers a refillable CO2 service plan to aid in landfill reduction.

Billi's energy saving initiatives include high performance polyethylene insulation to maintain set water temperatures, stand-by mode and eco-intelligence modes as well as thermodynamic heat exchange technology to capture and re-use any waste heat energy.

Reduce your environmental impact & save on energy bills. Billi's filtered water systems offer unique power consumption advantages:

- » Thermodynamic heat-exchange technology recovers and reuses heat energy.
- » High performance polyethylene insulation retains water temperature and saves energy.
- » Stand-by mode conserves power during set non-use periods.



## Billi's Environmental Sustainability



### Replaceable filters & Refillable CO2

Billi now offers a refillable rather than disposable CO2 product, find out more here:

[www.billi.com.au/water-filtration-centre/co2-supply-near-me](http://www.billi.com.au/water-filtration-centre/co2-supply-near-me)

### Standard Warranty

All components of the drinking water systems are covered by a 24-month warranty.

### Commitment to Quality

A strong commitment to quality is as important to Billi as style, function and innovation. Recognising the importance of reliability to customers, all Billi water systems are manufactured to strict quality standards.

Every system is designed to provide the highest possible standards of efficiency and energy savings.

### Certifications

Every Billi drinking water appliance is manufactured under a certified quality control system. They have been tested and comply with all relevant standards.

Billi Eco, Eco Sparkling, Quadra, Quadra Sparkling, Quadra Plus, Quadra Sparkling Plus, Billi Sahara and Sahara Plus systems are tested to and comply with; Watermark license number WM-21525, AS3498.

Billi Alpine and Filter Tap systems are tested to and comply with; Watermark license number WM-21882, WMTS105.

BWT filter models 994051, 99052, 994054, 994055, 994056 & 994060 are tested to and comply with; Watermark license number WM-022902

All Billi systems are also tested to AS/NZS 4020; AS1428 Accessibility Design Requirements. Billi is also ISO 9001 Certified Certificate Number QEC11627.

Billi Eco, Quadra and Quadra Plus products are certified Gold Level under Global GreenTag standards.

Billi's range of Filter, Mixer and Sensor taps are Watermarked and licensed under WELS T26065, T26149, T29334, T29342, T29494, T30968, T31455 and T36026.

Billi systems are certified under HACCP PE-972-WAT-1-02.



## Replacement Filters

Periodic replacement of filters is necessary to maintain water quality and ensure optimal health benefits. Genuine replacement Billi filters are available through our website and locally from your approved supplier. Filters **MUST** be replaced every 12 months as a minimum, in some areas or with high usage it is recommended this is increased to a frequency of 6 months.

All Billi genuine filters come with a digital lockout feature to retain single use integrity and maximum hygiene of your drinking water system. They also have a visual change reminder alarm built into the dispenser display where amber lights will flash repeatedly to indicate it's time to change your filter.

To change your own filter please refer to the link provided below, but for true peace of mind and regular maintenance of your system by an expert why not consider one of our Service Plan offerings overleaf such as a 4 year Service Certificate or a Silver Filter plan?

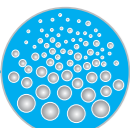
Visit: [www.billi.com.au/billi-how-to-videos](http://www.billi.com.au/billi-how-to-videos)

**Easy filter change.**  
Simply swing forward and slide out to replace filter.



**0.2 Micron Fibrion XC® Replacement Filter**  
**994052**

Normal Filter Rating | 0.2 Micron  
 Filtration Capability | Sediment, Chlorine, Taste & Odour, Parasitic Cysts, Lead  
 Flow Rate | 3.8lpm  
 Water Pressure | 80 kPa min - 860 kPa max  
 Capacity | 30,000 litres (Chlorine reduction)  
 Water Temperature | 38°C max. Must not freeze



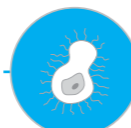
**SEDIMENT**  
Filters out particles in the water



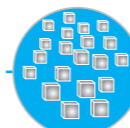
**CHEMICALS**  
Reduces Chlorine and organic chemicals



**MINERALS**  
Enables minerals to flow through the appliance without allowing scale build up



**CYSTS**  
Removes parasitic cysts giardia and cryptosporidium (994052 & 994060 only)

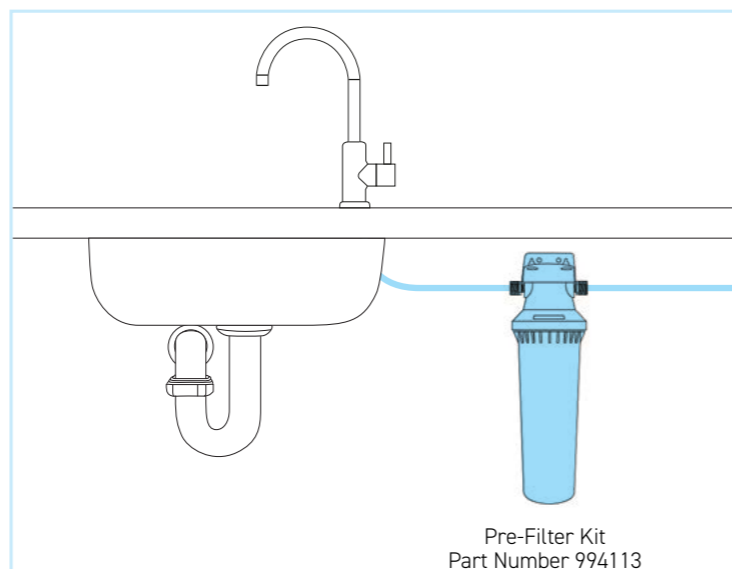


**LEAD**  
Reduces Lead and heavy metals (994052 & 994060 only\*)

\*Lead Reduction on 994052 + 994060 @ 98.93%

## Billi Pre-Filter Range - External Accessory

- Provides additional filtration support while protecting your underbench system investment
- Suitable for standalone use as an inline filter solution to cold water supply
- Compatible with all Billi mixer taps & many other existing tapware manufacturers
- Cost effective solution for mains filtering
- Kit provides everything you need for easy setup. Replacement and upgrade filter options can be purchased separately.



Pre-Filter Kit  
Part Number 994113

Contact our friendly customer service team to discuss your pre-filtration needs.

Billi offers the very best in innovation, superior performance and reliability and we back this up with a world class customer service experience ethos. Instant filtered drinking water systems do require service & maintenance and filter replacements to ensure optimal water quality and health benefits.

Billi's service model includes an Australia-Wide network of trained technicians and service agents being backed up by a technical support team at the point of production. Their expertise and service is technically correct, prompt, reliable and available.

Our commitment is to make that easy for you starting with installation and then looking after you for the life of your product;



### BILLI INSTALLATION

A Billi accredited technician can offer Standard Installation in residential premises. Standard Installation Requirements regarding water and power supply must be met and does not include installation on granite or natural stone bench tops or bench tops that are more than 48mm thick.



### 4 YEAR SERVICE CERTIFICATE

All new units are eligible for access to our 'peace of mind plan', that provides 4 years of filter changes and comprehensive service for a fixed annual fee. The Service certificate can be purchased strictly for a period of 60 days from delivery.



### SILVER SERVICE PLAN

Filter replacement plan, performed by a Billi accredited technician. Fixed rate for the duration of your agreement.



### REFILLABLE CO<sub>2</sub> FILTER PLAN

Billi now offers customers an environmentally friendly option to rent CO<sub>2</sub> & Regulator packages, with a periodic refill service provided to site.



### FILTER SUBSCRIPTION

Our DIY offer for the home handy person or on-site maintenance manager. Your chosen filters are delivered to you, within your chosen months for self-installation. Includes 2 filters per year for 3 years.

For more information on our service plans, please visit our website [www.billi.com.au/billicare-service-plans](http://www.billi.com.au/billicare-service-plans)



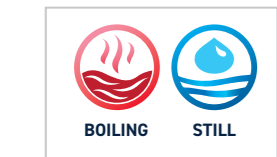
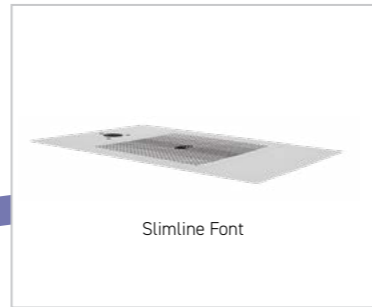
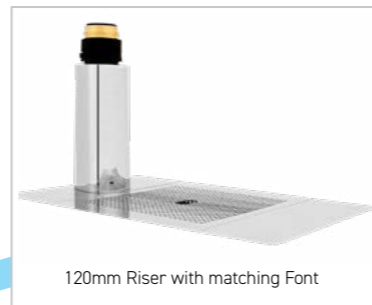
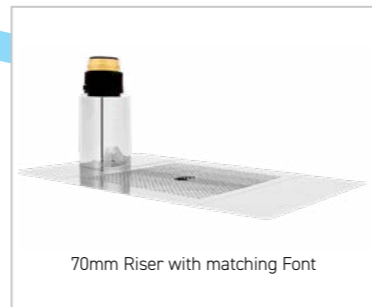
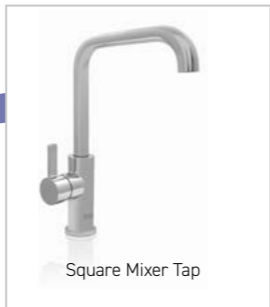
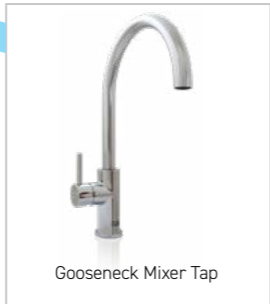
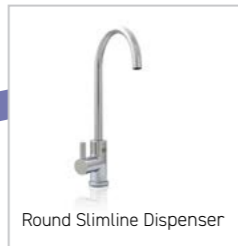
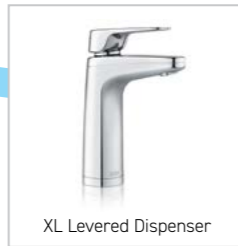
Optional accessory add ons

What are your water needs?

What design will best suit your kitchen?

Do you need a complementary mixer tap for your kitchen?

If installation over a sink is not an option, choose a matching font for bench top install.



\*Extension Spout sold as an accessory.



Boiling or chilled filtered drinking water delivered instantaneously



Instant Boiling water for hot beverage, cooking & sterilisation



Filtered water for drinking or food preparation



Chilled & Sparkling water for entertaining, food preparation and much more.

Log online for usage ideas:

[www.billi.com.au/news/latest-news/billi-sparkling-at-home](http://www.billi.com.au/news/latest-news/billi-sparkling-at-home)



Billi's new online 3D Build mobile innovation allows you to simply specify, then shop from the comfort of your home.

Build your own filtered water system at: [www.billi.com.au/3d-build](http://www.billi.com.au/3d-build)

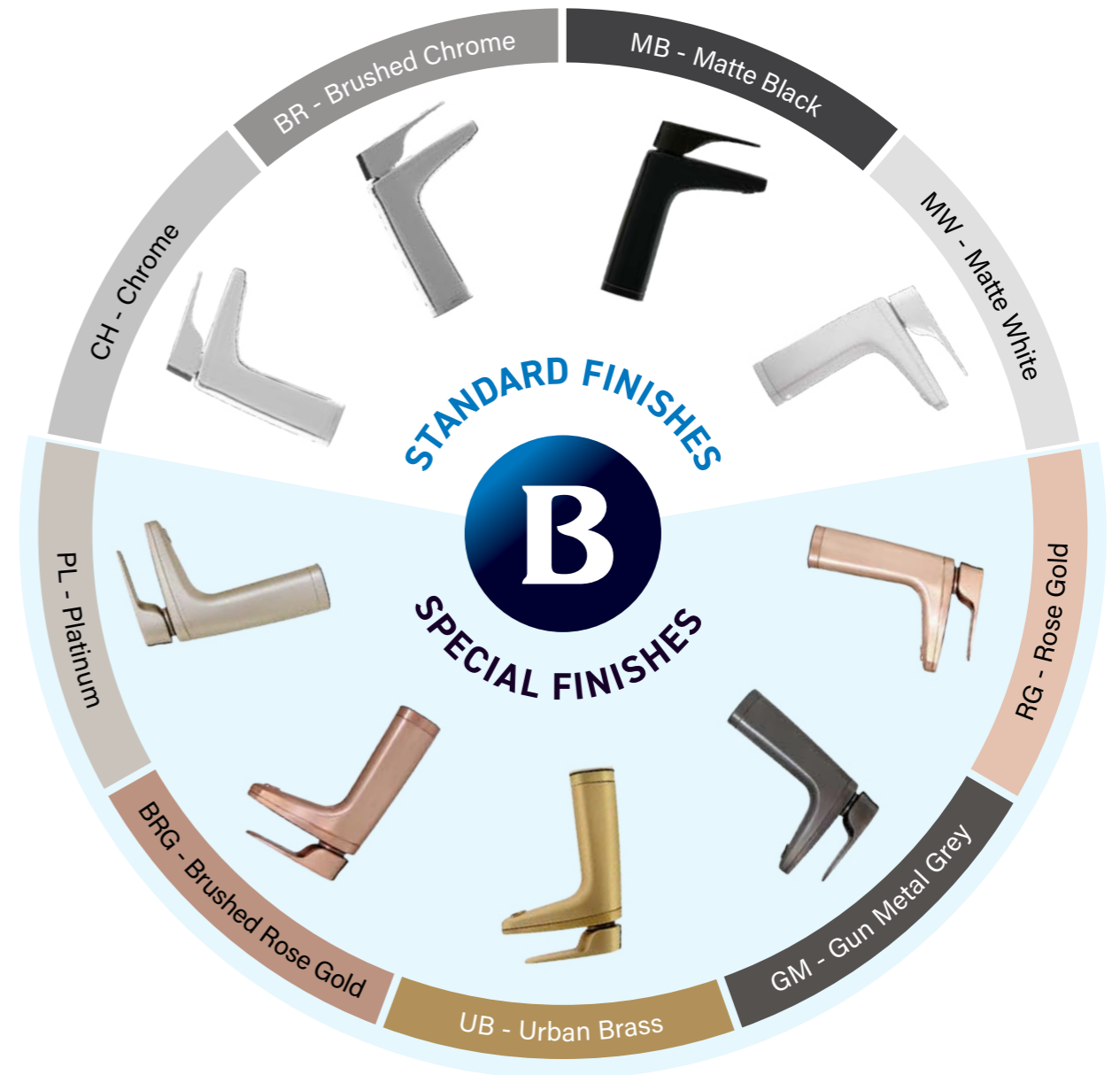




Matte black XL Levered Dispenser and Gooseneck Mixer Tap

### Dispenser Finishes

Our dispensers come in a variety of modern and stylist finishes to match your kitchen environment. There are 4 standard finishes and 5 special finishes to choose from.



Refer to individual specification for available finish range by product variant

### Slimline Dispenser Finishes

Our round and square slimline dispensers also comes in the same modern and stylish finishes as our dispensers. Our extended square slimline and dual lever dispensers comes in chrome, brushed chrome and matte black.

	<b>FINISH OPTIONS</b>				<b>FINISH OPTIONS</b>
	<b>SPECIAL ORDER FINISHES</b>				

### Fonts and Risers

Font and Risers are needed for benchtop installations when it's not an option for your Billi dispenser to sit over a sink. Perfect for home offices located outside of the main dwelling, butlers pantries or outdoor kitchens.



**992800 - 70mm FONT & RISER**

Suitable for XL levered & XT Touch dispensers



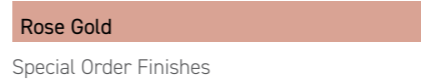
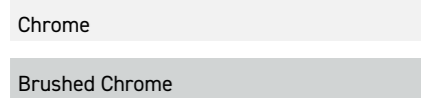
**992803 - 120mm FONT & RISER**

Suitable for XL levered & XT Touch dispensers



**992810 - SLIMLINE FONT**

Suitable for slimline dispensers



### CO2 Cylinders

CO2 Cylinder replacements are available in single or 2 pack (1.1kg each) for all Billi underbench Sparkling units:



**996911 - CO2 Cylinder - Single (1.1kg)**

Suitable for all Billi Sparkling models



**996912 - CO2 Cylinder - 2 pack (2 x 1.1kg)**

Suitable for all Billi Sparkling models



#### REFILLABLE CO2 FILTER PLAN

Billi now offers customers an environmentally friendly option to rent CO2 & Regulator packages, with a periodic refill service provided to site.  
\* Selected areas only.

### Replacement Filters

3 x Replacement filters are available for different environments:



**994052 - 0.2 Micron Fibron XC® Replacement Filter**

Highest level of filtration for optimal drinking water quality

Most Recommended



**994051 - 5 Micron Fibron X® Replacement Filter**

Standard premium filtration for all environments



**994054 - HSD Fibron XT® Replacement Filter**

Ideal for High Sediment areas to ensure premium filtration without compromising on water flow



### XL Levered Dispenser (XL)

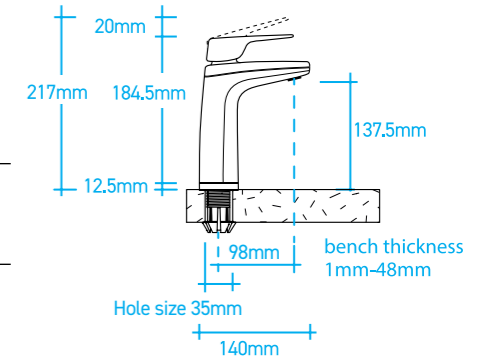
The levered dispenser is streamlined and elegant. It is simply operated with position-sensitive levers.

Suits 915000, 915100, 914000

#### FINISH OPTIONS



#### SPECIAL ORDER FINISHES



### XT Touch Dispenser (XT)

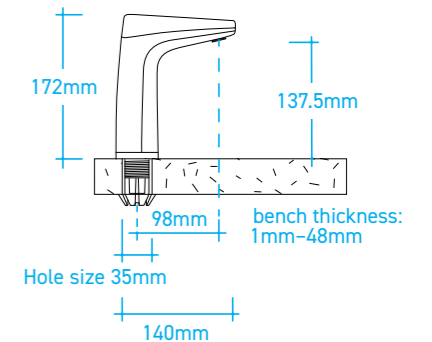
The touch dispenser is an innovative, contemporary design, which has a top operating panel offering a sophisticated and clean style.

Suits 914000

#### FINISH OPTIONS



#### SPECIAL ORDER FINISHES



Matte Black XL Levered Dispenser



## SLIMLINE DISPENSERS



### Round Slimline Dispenser **(R)**

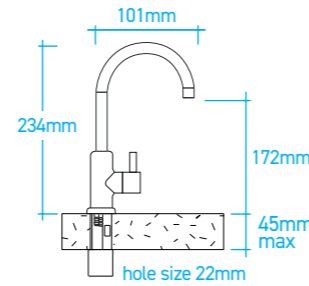
Round in design with single pin lever option. Suitable for ambient or chilled water.

Suits 913000, 911000

#### FINISH OPTIONS



#### SPECIAL ORDER FINISHES



### Square Slimline Dispenser **(S)**

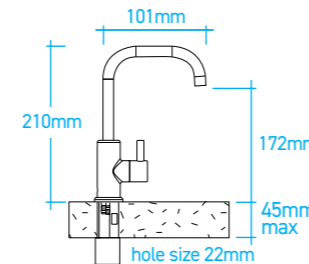
Square in design with single paddle lever option. Suitable for ambient or chilled water.

Suits 911000, 913000

#### FINISH OPTIONS



#### SPECIAL ORDER FINISHES

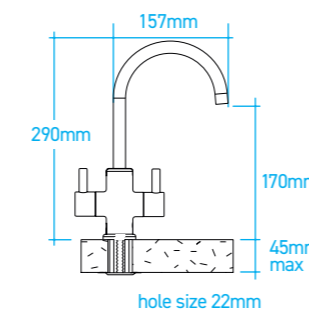


### Dual Lever Dispenser **(D)**

Round in design with dual levers. Suitable for chilled and sparkling water.

Suits 913100

#### FINISH OPTIONS



## Extended Slimline Dispensers



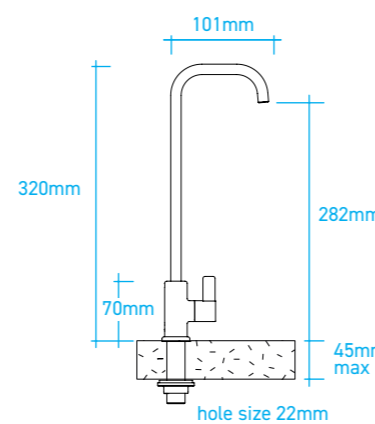
### Extended Height Square Slimline **(E)**

Extended spout allows bottles and jugs to be filled when the tap is installed on a front.

Suits 911000, 913000

Add finish code to the product code (991900SCH / 991900SBR / 991900SMB)

#### FINISH OPTIONS



## MIXER TAPS TO COMPLEMENT

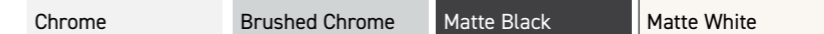


### Gooseneck Mixer Tap **(G)**

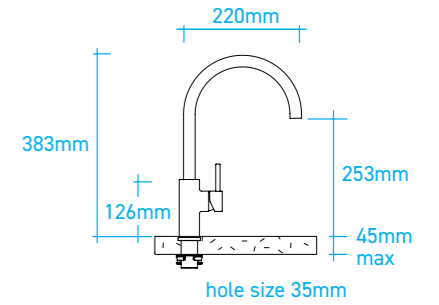
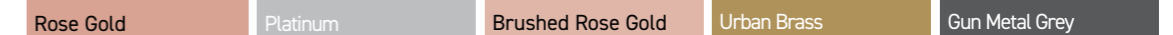
Round gooseneck design as a complementary standalone mixer tap. Requires hot and cold mains connection.

Add finish code to the product code (991600GCH)

#### FINISH OPTIONS



#### SPECIAL ORDER FINISHES

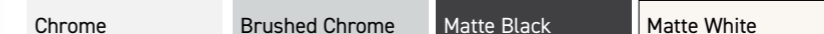


### Square Mixer Tap **(S)**

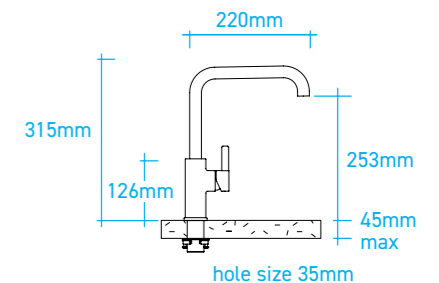
Square gooseneck design as a complementary standalone mixer tap. Requires hot and cold mains connection.

Add finish code to the product code (991700SCH)

#### FINISH OPTIONS



#### SPECIAL ORDER FINISHES



### Paddle Lever Mixer Tap **(P)**

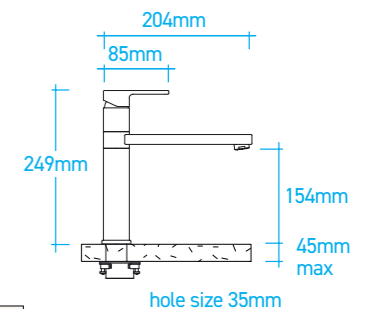
Paddle lever design as a complementary standalone mixer tap. Requires hot and cold mains connection.

Add finish code to the product code (991800PCH)

#### FINISH OPTIONS



#### SPECIAL ORDER FINISHES



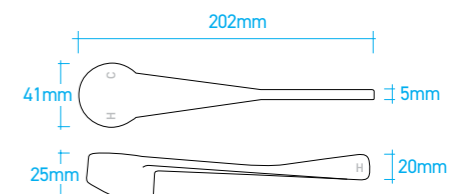
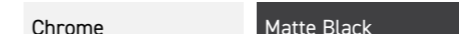
## Mixer Tap Accessory



### Disabled Lever - **(D)** For use with Paddle Lever Mixer Tap

Product Code : 992111CH / 992111MB

#### FINISH OPTIONS





Matte black XL Levered Dispenser



### Billi B5000

Instant boiling and chilled filtered water system

DISPENSER OPTIONS



FEATURES



Product Code	Model	Power	Suggested Usage
915000	B5000	10 amp	<ul style="list-style-type: none"> <li>• Drinking water filtration</li> <li>• Instant Hot or Chilled beverages</li> <li>• Cooking &amp; Food preparation</li> <li>• Sterilisation of baby bottles</li> </ul>

UNDERBENCH UNIT



### Billi B5000 Sparkling

Instant boiling, chilled and sparkling filtered water system

DISPENSER OPTIONS



FEATURES



Product Code	Model	Power	Suggested Usage
915100	B5000 Sparkling	2 x 10 amp	<ul style="list-style-type: none"> <li>• Drinking water filtration</li> <li>• Instant Hot or Chilled beverages</li> <li>• Cocktails &amp; Mocktails</li> <li>• Cooking &amp; Food preparation</li> <li>• Sterilisation of baby bottles</li> </ul>

UNDERBENCH UNITS



\* Based on the initial number of cups of boiling water immediately available, drawn one cup every 10 seconds. For all underbench filtered water systems, consideration may be needed for usage patterns and draw-off methods. 1 cup = 170ml  
 # Australian Made Boiling Unit  
 ^ Italian Designed and Made Sparkling Unit



## Billi B4000

Instant boiling and still filtered water system

DISPENSER OPTIONS



FEATURES



Product Code	Model	Power	Suggested Usage	
914000	B4000	10 amp	<ul style="list-style-type: none"> <li>Drinking water filtration</li> <li>Instant Hot beverages</li> </ul>	<ul style="list-style-type: none"> <li>Cooking &amp; Food preparation</li> <li>Sterilisation of baby bottles</li> </ul>

UNDERBENCH UNIT



CHILLED

## Billi B3000

Chilled filtered water system

DISPENSER OPTIONS



FEATURES



Product Code	Model	Power	Suggested Usage	
913000	B3000	10 amp	<ul style="list-style-type: none"> <li>Drinking water filtration</li> <li>Instant Chilled beverages</li> </ul>	<ul style="list-style-type: none"> <li>Cooking &amp; Food preparation</li> </ul>

UNDERBENCH UNIT



STILL

## Billi B1000

Instant still filtered water system

DISPENSER OPTIONS



FEATURES



Product Code	Model	Power	Suggested Usage	
911000	B1000	NA	<ul style="list-style-type: none"> <li>Drinking water filtration</li> </ul>	<ul style="list-style-type: none"> <li>Cooking &amp; Food preparation</li> </ul>

UNDERBENCH UNIT



CHILLED SPARKLING

## Billi B3000 Sparkling

Professional grade chilled & sparkling system

DISPENSER OPTIONS



FEATURES



Product Code	Model	Power	Suggested Usage	
913100	B3000 Sparkling	10 amp	<ul style="list-style-type: none"> <li>Drinking water filtration</li> <li>Instant Chilled &amp; Sparkling beverages</li> </ul>	<ul style="list-style-type: none"> <li>Cooking &amp; Food preparation</li> <li>Cocktails &amp; Mocktails</li> </ul>

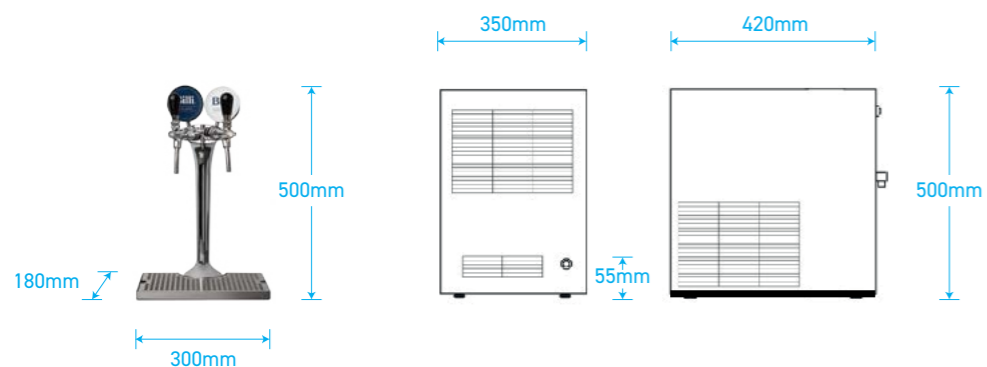
UNDERBENCH UNITS





## Billi Alpine Spring 65

Ideal for the outdoor kitchen or bar area, the newest addition to the chilled & filtered drinking water range offers high capacity output and is the only HACCP certified system in Australia. Ice bank technology allows repeated delivery of optimally chilled water and is perfect for entertaining family & friends or filling bottles.



Product Code	Model	Description	Power	Suggested Usage
842205	WL65	65 Ltr Double cobra head Chilled & Sparkling	10 amp	<ul style="list-style-type: none"> <li>• Drinking water filtration</li> <li>• Entertainment</li> <li>• Bottle filling</li> </ul>



The Billi Sparkling Suite is perfect for outdoor kitchens and entertainment areas.



Matte black XL Levered Dispenser with matching 70mm riser and font



Matte white XL Levered Dispenser



Chrome XL Levered Dispenser with matching 70mm riser and font

# ORDER CODES



STILL



STILL			
Order Code	Display Name	Order Code	Display Name
911000RCH	B1000 Round Chrome	911000SCH	B1000 Square Chrome
911000RBR	B1000 Round Brushed	911000SBR	B1000 Square Brushed
911000RMB	B1000 Round Matte Black	911000SMB	B1000 Square Matte Black
911000RMW	B1000 Round Matte White	911000SMW	B1000 Square Matte White
911000RRG	B1000 Round Rose Gold	911000SRG	B1000 Square Rose Gold
911000RUB	B1000 Round Urban Brass	911000SUB	B1000 Square Urban Brass
911000RBRG	B1000 Round Brushed Rose Gold	911000SBRG	B1000 Square Brushed Rose Gold
911000RPL	B1000 Round Platinum	911000SPL	B1000 Square Platinum
911000RGM	B1000 Round Gun Metal Grey	911000SGM	B1000 Square Gun Metal Grey



CHILLED



CHILLED			
Order Code	Display Name	Order Code	Display Name
913000RCH	B3000 Round Chrome	913000SCH	B3000 Square Chrome
913000RBR	B3000 Round Brushed	913000SBR	B3000 Square Brushed
913000RMB	B3000 Round Matte Black	913000SMB	B3000 Square Matte Black
913000RMW	B3000 Round Matte White	913000SMW	B3000 Square Matte White
913000RRG	B3000 Round Rose Gold	913000SRG	B3000 Square Rose Gold
913000RUB	B3000 Round Urban Brass	913000SUB	B3000 Square Urban Brass
913000RBRG	B3000 Round Brushed Rose Gold	913000SBRG	B3000 Square Brushed Rose Gold
913000RPL	B3000 Round Platinum	913000SPL	B3000 Square Platinum
913000RGM	B3000 Round Gun Metal Grey	913000SGM	B3000 Square Gun Metal Grey



CHILLED SPARKLING



CHILLED & SPARKLING	
Order Code	Display Name
913100DCH	B3000 Sparkling S2 Chilled Round Chrome
913100DMB	B3000 Sparkling S2 Chilled Round Matte Black
913100DBR	B3000 Sparkling S2 Chilled Round Brushed



BOILING STILL



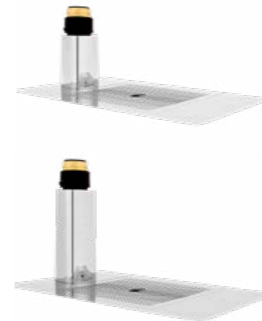
BOILING & STILL			
Order Code	Display Name	Order Code	Display Name
914000LCH	B4000 XL Chrome	914000LPL	B4000 XL Platinum
914000LBR	B4000 XL Brushed	914000LUB	B4000 XL Urban Brass
914000LMB	B4000 XL Matte Black	914000TCH	B4000 XT Chrome
914000LMW	B4000 XL Matte White	914000TBR	B4000 XT Brushed
914000LRG	B4000 XL Rose Gold	914000TMB	B4000 XT Matte Black
914000LBRG	B4000 XL Brushed Rose Gold	914000TMW	B4000 XT Matte White
914000LGM	B4000 XL Gun Metal Grey	914000TRG	B4000 XT Rose Gold



BOILING CHILLED



BOILING & CHILLED			
Order Code	Display Name	Order Code	Display Name
915000LCH	B5000 XL Chrome	915000LBRG	B5000 XL Brushed Rose Gold
915000LBR	B5000 XL Brushed	915000LGM	B5000 XL Gun Metal Grey
915000LMB	B5000 XL Matte Black	915000LPL	B5000 XL Platinum
915000LMW	B5000 XL Matte White	915000LUB	B5000 XL Urban Brass
915000LRG	B5000 XL Rose Gold		



BOILING, CHILLED & SPARKLING			
Order Code	Display Name	Order Code	Display Name
915100LCH	B5000 XL Chrome	915100LBRG	B5000 XL Brushed Rose Gold
915100LBR	B5000 XL Brushed	915100LGM	B5000 XL Gun Metal Grey
915100LMB	B5000 XL Matte Black	915100LPL	B5000 XL Platinum
915100LMW	B5000 XL Matte White	915100LUB	B5000 XL Urban Brass
915100LRG	B5000 XL Rose Gold		

ALPINE SPRING 65 - CHILLED & SPARKLING	
Order Code	Display Name
842205	Alpine Spring 65 - 65lt Double Cobra Head

FONTS			
Order Code	Display Name	Order Code	Display Name
992800CH	XI Font incl 70mm Riser Chrome	992803BRG	XI Font incl 120mm Riser Brushed Rose Gold
992800BR	XI Font incl 70mm Riser Brushed	992803GM	XI Font incl 120mm Riser Gun Metal Grey
992800MB	XI Font incl 70mm Riser Matte Black	992803PL	XI Font incl 120mm Riser Platinum
992800MW	XI Font incl 70mm Riser Matte White	992803UB	XI Font incl 120mm Riser Urban Brass
992800RG	XI Font incl 70mm Riser Rose Gold	992804CH	XI Font incl 170mm Riser - Chrome
992800BRG	XI Font incl 70mm Riser Brushed Rose Gold	992810CH	XI Slimline Font - Chrome
992800GM	XI Font incl 70mm Riser Gun Metal Grey	992810BR	XI Slimline Font - Brushed
992800PL	XI Font incl 70mm Riser Platinum	992810MB	XI Slimline Font - Matte Black
992800UB	XI Font incl 70mm Riser Urban Brass	992810MW	XI Slimline Font - Matte White
992803CH	XI Font incl 120mm Riser Chrome	992810RG	XI Slimline Font - Rose Gold
992803BR	XI Font incl 120mm Riser Brushed	992810BRG	XI Slimline Font - Brushed Rose Gold
992803MB	XI Font incl 120mm Matte Black	992810GM	XI Slimline Font - Gun Metal Grey
992803MW	XI Font incl 120mm Riser Matte White	992810PL	XI Slimline Font - Platinum
992803RG	XI Font incl 120mm Riser Rose Gold	992810UB	XI Slimline Font - Urban Brass

MIXER TAPS			
Order Code	Display Name	Order Code	Display Name
991800PCH	Paddle Mixer - Chrome	991600GBRG	Gooseneck Mixer - Brushed Rose Gold
991800PBR	Paddle Mixer - Brushed	991600GGM	Gooseneck Mixer - Gun Metal Grey
991800PMB	Paddle Mixer - Matte Black	991600GPL	Gooseneck Mixer - Platinum
991800PMW	Paddle Mixer - Matte White	991600GUB	Gooseneck Mixer - Urban Brass
991800PRG	Paddle Mixer - Rose Gold	991700SCH	Square Gooseneck Mixer - Chrome
991800PBRG	Paddle Mixer - Brushed Rose Gold	991700SBR	Square Gooseneck Mixer - Brushed
991800PGM	Paddle Mixer - Gun Metal Grey	991700SMB	Square Gooseneck Mixer - Matte Black
991800PPL	Paddle Mixer - Platinum	991700SMW	Square Gooseneck Mixer - Matte White
991800PUB	Paddle Mixer - Urban Brass	991700SRG	Square Gooseneck Mixer - Rose Gold
991600GCH	Gooseneck Mixer - Chrome	991700SBRG	Square Gooseneck Mixer - Brushed Rose Gold
991600GBR	Gooseneck Mixer - Brushed	991700SGM	Square Gooseneck Mixer - Gun Metal Grey
991600GMB	Gooseneck Mixer - Matte Black	991700SPL	Square Gooseneck Mixer - Platinum
991600GMW	Gooseneck Mixer - Matte White	991700SUB	Square Gooseneck Mixer - Urban Brass
991600GRG	Gooseneck Mixer - Rose Gold		

EXTENSION ACCESSORIES			
Order Code	Display Name	Order Code	Display Name
991900SCH	Extended Height Square Slimline Chrome	992111CH	Disabled Lever Chrome
991900SBR	Extended Height Square Slimline Brushed	992111MB	Disabled Lever Matte Black
991900SMB	Extended Height Square Slimline Matte Black		

Buy Online



**CONSUMABLES - FILTERS & CO2**

Order Code	Display Name	Order Code	Display Name
994051	Replacement Filter - 5.0 micron	996912	Replacement CO2 Cylinder - Pack 2 1000gr
994052	Replacement Filter - 0.2 Micron	994113	Pre-Filter / Inline Filter Kit
994054	Replacement Filter HSD	994007	Replacement Pre-Filter / Inline Filter
996911	Replacement CO2 Cylinder - Single 1000gr		



**BILLCARE INSTALLATION**

Enquire Online

Display Name
Standard Installation for B5000, B4000 & B3000*
Standard Installation for B5000 Sparkling & B3000 Sparkling*



**BILLCARE SERVICE PLANS**

Enquire Online

Display Name	Display Name
4 Year Service Certificate	Refillable CO2 quarterly
Silver bi-annual filter plan	Rental CO2 quarterly
Bi-annual Filter Subscription	

\* Conditions Apply.



Matte black XL Levered Dispenser



"The Billi hot & filtered cold tap is by far the more superior product in my experience. There are 4 reasons for this. Firstly, we love the ease with which the Filter Cartridges - just slot in and click into place for replacement, couldn't be simpler. The second major advantage is the reduced and more efficient unit size that sits underneath in the cabinet below - it takes up far less room than the competitor offering. Importantly, the price point is by far lower, a real no brainer! And lastly, the unit is reliable and looks fabulous. I could not recommend the Billi tap enough. It isn't my first Billi tap, and it won't be my last"

Regina, Vic

"Excellent customer service, from advice, to Sales, installation and beyond. Staff are super friendly, helpful and thoughtful. Really happy with the co-written experience and the end product. I have one happy family especially a young person with different needs. Thanks, so much for going the extra mile for us"

Kerrin, AU



"We absolutely love our Billi boiling and chilled water dispenser. It's so convenient to have instant hot and cold water when you need it. It's also great to have that more uncluttered look in the kitchen, now that we don't need a kettle on the benchtop. The Billi looks classy, but unobtrusive. We've very pleased with our purchase and would recommend this product highly"

Rola, Sydney



"Such a convenient and good looking appliance. There isn't a day that goes by where we don't use our Billi. Easily pour boiling, chilled or sparkling filtered water at the touch of a button. This is our 2nd one, we moved into a house that didn't have a Billi and had to put one in!"

Fotis, Melbourne

# Billi®



**Billi Australia Pty Ltd**  
42 Lucknow Crescent, Thomastown,  
Victoria 3074 Australia

**P** 1800 812 321  
**F** +61 3 9469 0499  
**W** [www.billi.com.au](http://www.billi.com.au)



 Designed and manufactured in Australia